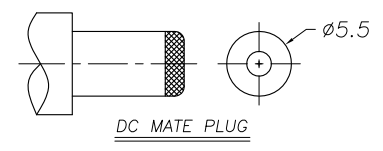
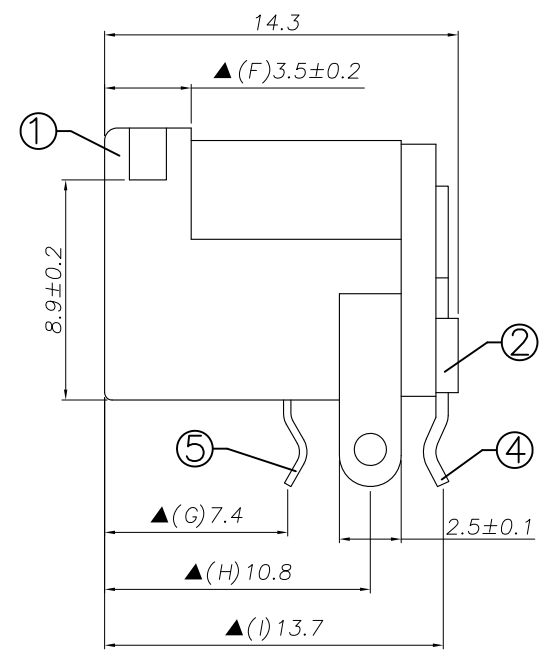
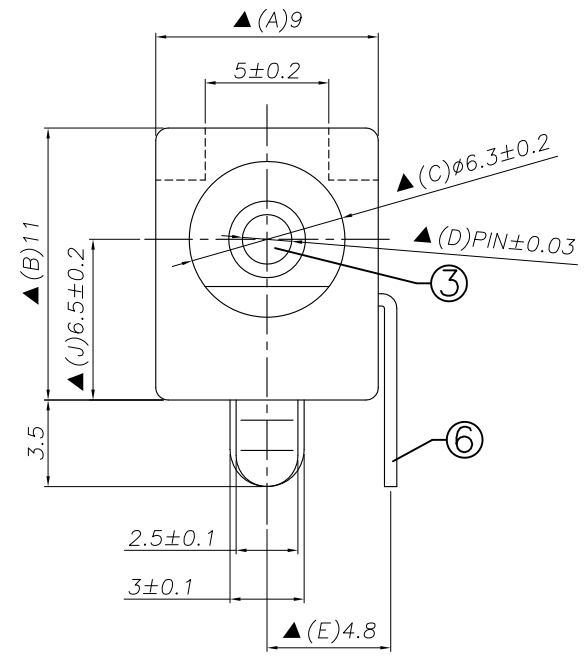


REV. LTR.	DESCRIPTION	SIGN	DATE
	Update drawing	Zhangxiuke	2011.5.10



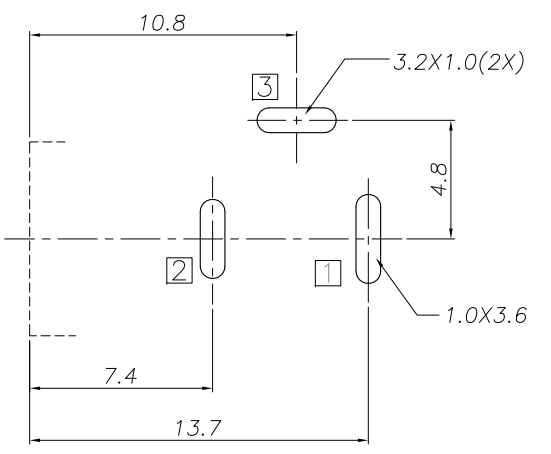
Specification:

- 1.Rating : DC 20V 2A.
- 2.Contact resistance : $\leq 30m\Omega$.
After test: $\leq 50m\Omega$
- 3.Insulation resistance : $\geq 100M\Omega$ (500VDC).
After test: $\geq 50M\Omega$
- 4.Withstanding voltage : 500VAC .
- 5.Insertion and extraction force : 3N~30N.
- 6.life test : 5000cycles min.
- 7.Operation temperature range:-20°C~70°C
- 8.Preservative temperature range:-40°C~85°C
- 9.Sign"▲ "is importance dimension

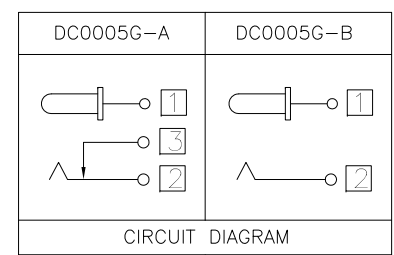
Ordering information:

DC0005G-□ □ - □□
(1) (2) (3) (4)

- (1):Series No
- (2):Schematic option: A、B
- (3):Center pin diameter:
H=φ2.0, I=φ2.35, J=φ2.5
- (4):Housing color:
無標示=Black, 2R=Red (0046), 4H=Yellow (0039)



Model No.	DC0005G-_H	DC0005G-_I	DC0005G-_J
PIN	φ2.0	φ2.35	φ2.5



□ : TERMINAL NO.

RECOMMENDED P. C. B. LAYOUT
UNSPECIFIED TOLERANCE: ±0.05
(BOTTOM VIEW)

⑥	Shunt terminal	1	Brass t0.5	DC0005D-03(WP-DC0018)	Tin plating
⑤	Tip spring	1	Phosphor bronze t0.3	DC0005G-02 (DC0005G-06-01)	Tin plating
④	Center pin terminal	1	Brass t0.5	DC0005D-01(PP-DC0014)	Tin plating
③	Center pin	1	Brass	DC00050-99H/I/J	CuSn/Nickel plating
②	Cover	1	PBT,UL 94V-0	DC00050-S2(GZ-DC0002)	Black
①	Housing	1	PBT,UL 94V-0	DC0005B-S1(ST-DC0004)	

NO.	DESCRIPTION	QTY	MATERIAL	PART NO.	REMARK
UNIT: MM		TYPE:		MODEL NO:	
TOLERANCE		ANGLES		SCALE	
PAGE NO: A4		PAGE 1 OF 1			
±0.3		±2'		FULL	
VER		3			

DESIGNER BY: Zhangxiuke 2011.05.10
CHECK BY:
APPROVED BY:

丞永實業有限公司
BLUE SOURCES ELECTRONICS CO.,LTD.